

# Specifications

WindFree™ Pure 1.0 R32

- Three-step cooling: Fast Cooling mode, Dehumidification mode and WindFree™ Cooling mode.
- PM1.0 Filter.
- AI Auto Comfort.
- Freeze Wash.
- Wi-Fi Control with Samsung SmartThings and Bixby voice controls.
- Compressor with Digital Inverter Boost technology.
- Equipped with NASA communication protocol.
- Direct drive fan powered by a BLDC motor.
- Triple Protector Plus to protect compressor, fan and controller from power surges.



| Indoor Unit                 |   | AR09AXKAAWKN/EU     | AR12AXKAAWKN/EU  |   |
|-----------------------------|---|---------------------|--|---|
| Outdoor Unit                |   | AR09AXKAAWKX/EU     | AR12AXKAAWKX/EU  |   |
| <b>Capacity</b>             |   |                     |  |   |
| Capacity                    | Cooling (Nominal)                       | kW                  | 2.5  | 3.5   |
|                             | Cooling (Min-Max)                       | kW                  | 0.9-3.4  | 0.9-4.4                                     |
|                             | Heating @ +7 °C                         | kW                  | 3.2  | 4.0   |
|                             | Heating (Min-Max)                       | kW                  | 0.7-6.5  | 0.7-6.8                                     |
|                             | Heating @ -5 °C                         | kW                  | TBC  | TBC   |
|                             | Heating @ -10 °C                        | kW                  | TBC  | TBC   |
|                             | Heating @ -15 °C                        | kW                  | TBC  | TBC   |
| <b>Performance</b>          |   |                     |  |   |
| Energy Efficiency Cooling   | SEER <sup>1</sup>                       | W/W                 | 7.9/ <span style="color: green;">A++</span>            | 7.2/ <span style="color: green;">A++</span> |
|                             | Power Consumption                       | kWh/a               | 111  | 170   |
|                             | Pdesignc                                | kW                  | 2.5  | 3.5   |
|                             | EER                                     | W/W                 | 4.46   | 3.80  |
| Energy Efficiency Heating   | SCOP <sup>1</sup>                       | W/W                 | 4.6/ <span style="color: green;">A++</span>            | 4.6/ <span style="color: green;">A++</span> |
|                             | Power Consumption                       | kWh/a               | 700  | 730   |
|                             | Pdesignh (average)                      | kW                  | 2.3  | 2.4   |
|                             | COP <sup>1</sup>                        | W/W                 | 3.95   | 3.71  |
| Moisture Removal            |   | l/h                 | 1.0  | 1.5   |
| Maximum Airflow (Cooling)   | Indoor Unit                             | m <sup>3</sup> /min | 11.7   | 12.1  |
|                             | Outdoor Unit                            | m <sup>3</sup> /min | 45   | 45  |
| Sound Power                 | Indoor Unit (Cooling)                   | dB(A)               | 56   | 58  |
|                             | Outdoor Unit (Cooling)                  | dB(A)               | 59   | 62  |
| Sound Pressure              | Indoor Unit High/Silent Mode            | dB(A)               | 38/19  | 40/19                                       |
|                             | Outdoor Unit High                       | dB(A)               | 45   | 46  |
| Operating Temperature Range | Cooling                                 | °C                  | -10~46   | -10~46                                      |
|                             | Heating                                 | °C                  | -15~24   | -15~24                                      |
| <b>Electrical Data</b>      |   |                     |  |   |
| Power Source                |   | Φ, V, Hz            | 1Φ, 220-240 V, 50 Hz                                   | 1Φ, 220-240 V, 50 Hz                        |
| Compressor Type             | Outdoor Unit                            | Type                | BLDC Rotary  | BLDC Rotary                                 |
|                             | Indoor Unit                             | Type                | BLDC Rotary  | BLDC Rotary                                 |
| Power Consumption           | Cooling                                 | W                   | 560  | 920   |
|                             | Heating                                 | W                   | 810  | 1079  |
| Operating Current           | Cooling                                 | A                   | 2.9  | 4.4   |
|                             | Heating                                 | A                   | 3.9  | 5.1   |
| <b>Dimensions</b>           |   |                     |  |   |
| Net Dimensions (W x H x D)  | Indoor Unit                             | mm                  | 820x345x215  | 820x345x215                                 |
|                             | Outdoor Unit                            | mm                  | 790x548x285  | 790x548x285                                 |
| Net Weight                  | Indoor Unit                             | kg                  | 10.3   | 10.3  |
|                             | Outdoor Unit                            | kg                  | 32.5   | 32.5  |
| <b>Refrigerant</b>          |   |                     |  |   |
| Refrigerant                 | Type                                    |                     | R32 (contains fluorinated greenhouse gases. GWP = 675) |   |
|                             | Charging (for 5 m)                      | kg                  | 0.965  | 0.965                                       |
|                             | Charging Ton Equivalent CO <sub>2</sub> | tCO <sub>2</sub> e  | 0.65   | 0.65  |
|                             | Additional Refrigerant Charging         | g/m                 | 15   | 15  |
| Piping Connections          | Liquid Pipe                             | ø, mm (inch)        | 1/4  | 1/4   |
|                             | Gas Pipe                                | ø, mm (inch)        | 3/8  | 3/8   |
| Piping Length               | Min/Max (ODU to IDU)                    | m                   | 3/15   | 3/15  |
| Piping Height               | Max                                     | m                   | 8  | 8   |
| Piping Connections          | Drain Pipe                              | ø, mm               | ø16.3, 550 mm  | ø16.3, 550 mm                               |



| Indoor Unit      |  | AR09AXKAAWKN/EU | AR12AXKAAWKN/EU |
|------------------|--|-----------------|-----------------|
| Outdoor Unit     |  | AR09AXKAAWKX/EU | AR12AXKAAWKX/EU |
| <b>Functions</b> |  |                 |                 |
| Airflow          | WindFree™ Cooling                          | ●               | ●               |
|                  | Air Direction Control (Up/Down)            | Auto            | Auto            |
|                  | Air Direction Control (Left/Right)         | Auto            | Auto            |
|                  | Auto Fan Speed                             | ●               | ●               |
| Air Purification | PM1.0 Filter                               | ●               | ●               |
|                  | Easy Filter Plus                           | ●               | ●               |
|                  | Auto Clean (Self-Cleaning)                 | ●               | ●               |
| Other Functions  | Freeze Wash                                | ●               | ●               |
|                  | AI Auto with Wi-Fi & MDS (direct/Indirect) | -               | -               |
| Operating Mode   | AI Auto with Wi-Fi                         | ●               | ●               |
|                  | Auto Mode (without Wi-Fi)                  | -               | -               |
|                  | Fast Cool                                  | ●               | ●               |
|                  | Good Sleep                                 | ●               | ●               |
|                  | Eco  | ●               | ●               |
|                  | Dehumidification                           | ●               | ●               |
|                  | Fan  | ●               | ●               |
|                  | Quiet                                      | ●               | ●               |
| Other Functions  | Samsung SmartThings                        | ●               | ●               |
|                  | MDS (Motion Detect Sensor)                 | -               | -               |
|                  | Indoor Temp. Display                       | ●               | ●               |
|                  | Air Quality Indication                     | ●               | ●               |
|                  | Display On/Off                             | ●               | ●               |
| Other Functions  | Beep On/Off                                | ●               | ●               |
|                  | Auto Changeover                            | ●               | ●               |
| Other Functions  | Auto Restart                               | ●               | ●               |

### Accessory



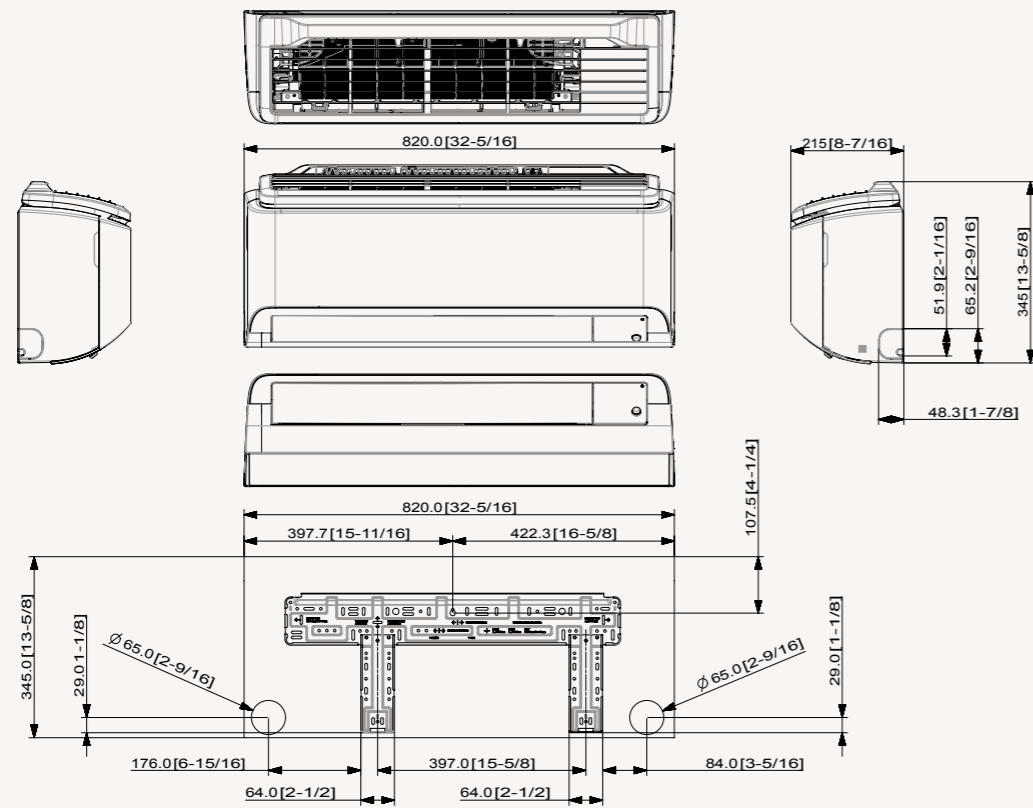
Wireless Remote Controller (included)

<sup>1</sup> Energy labels as shown are according to EU No 626/2011 (LOT10) label classification 2019, on a scale from D to A+++.

# Dimensional drawings

WindFree™ Pure 1.0 - Indoor

AR09/T2AXKAAWKNEU



WindFree™ Pure 1.0 - Outdoor

AR09/T2AXKAAWKXEU

