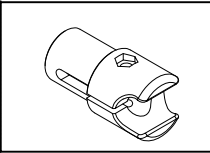
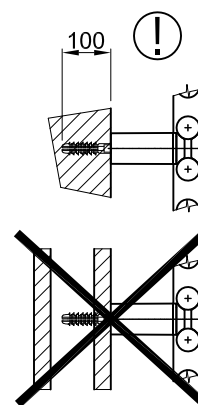
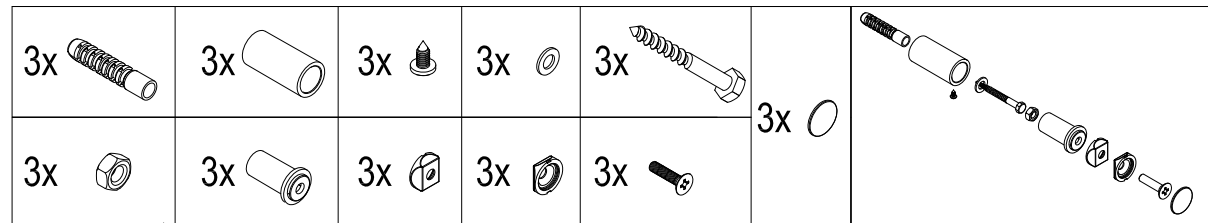
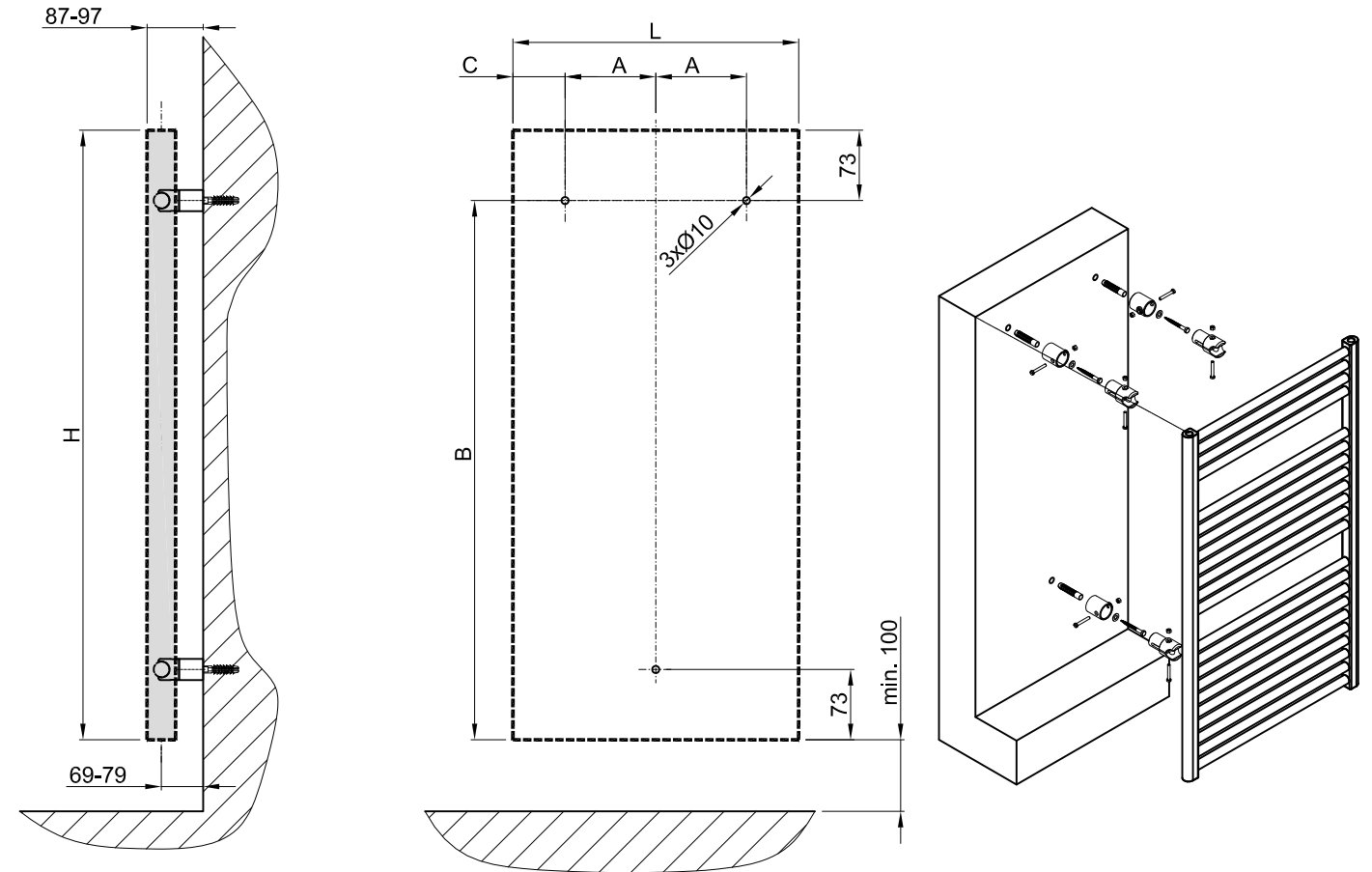
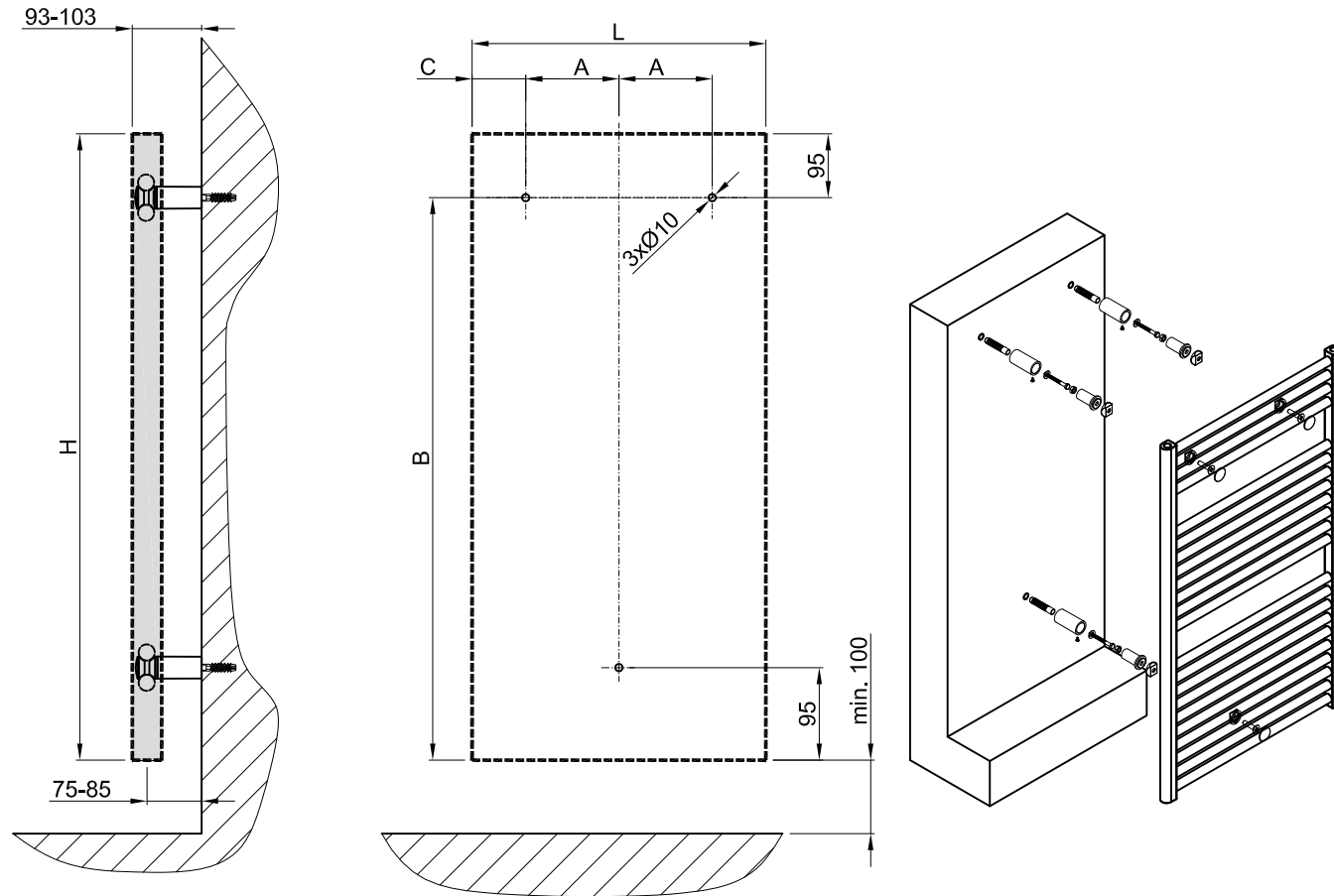


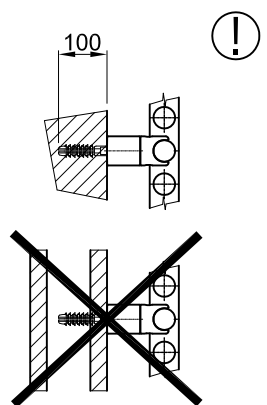
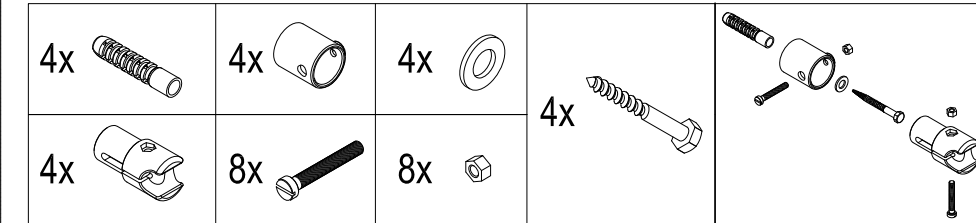
LINOSIA



LINOSIA



	H/L [mm]	A [mm]	B [mm]	C [mm]
	730/500	170	635	80
	730/600	220	635	80
	1180/500	170	1085	80
	1180/600	220	1085	80
	1765/500	170	1670	80
	1765/600	220	1670	80



	H/L [mm]	A [mm]	B [mm]	C [mm]
	730/500	170	657	80
	730/600	220	657	80
	1180/500	170	1107	80
	1180/600	220	1107	80
	1765/500	170	1692	80
	1765/600	220	1692	80