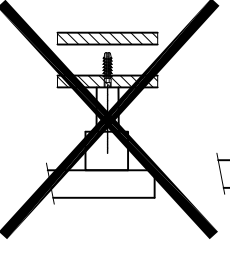
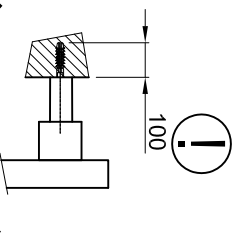
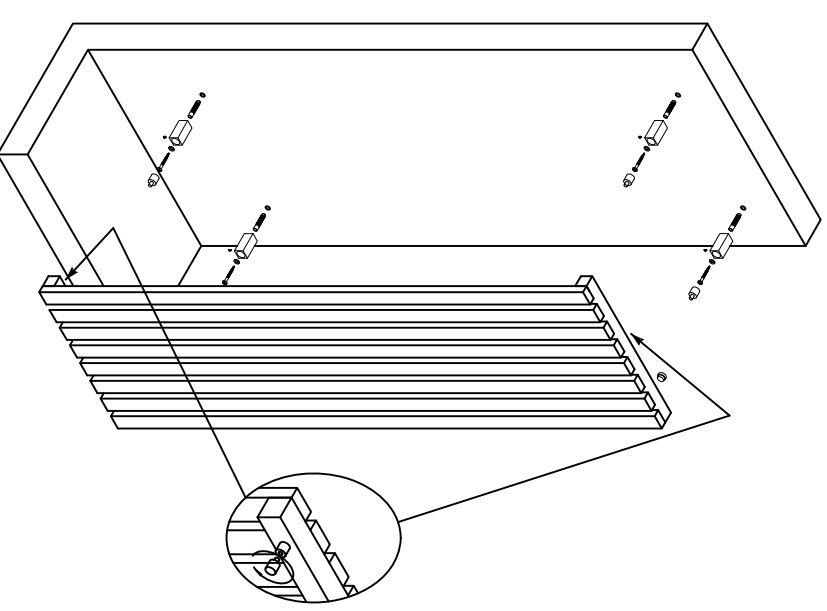
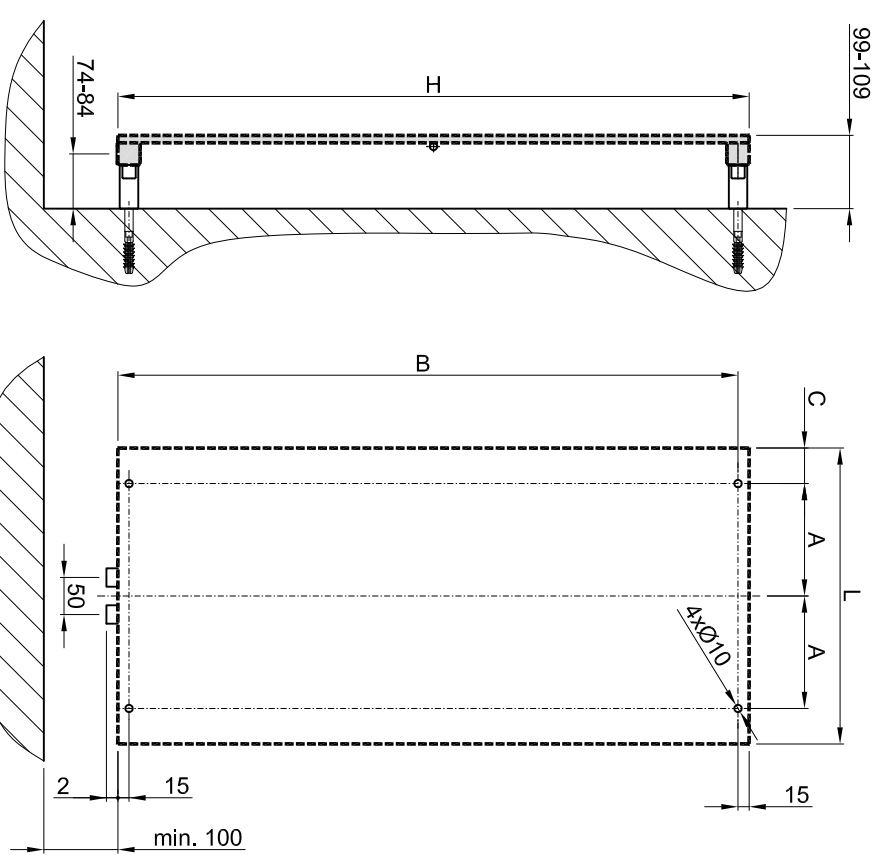


4X		4X		4X	
4X		4X		4X	

H/L [mm]	A [mm]	B [mm]	C [mm]
1800/370	117,5	1762	67,5



4X		4X		4X	
4X		4X		4X	

H/L [mm]	A [mm]	B [mm]	C [mm]
1800/390	175	1785	20